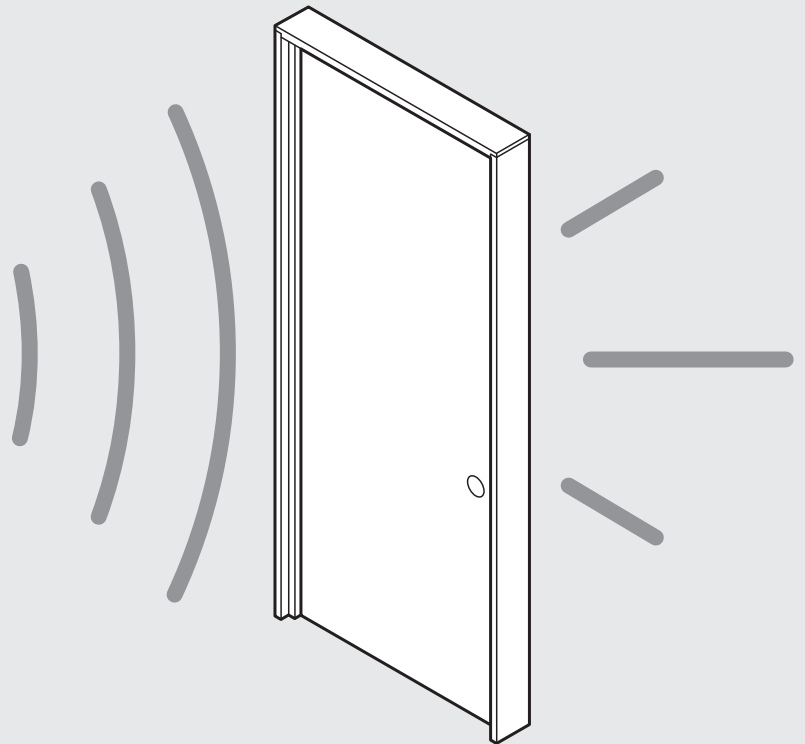




ISOSTORE
EXPERT SOUND CONTROL

ISODOOR HD, HD LF, SD, and V

Installation Guide v4



Questions? Call us at 877-866-6473 for assistance.

The information in this guide is accurate to the best of our knowledge at the time of issue. We reserve the right to make changes when necessary without further notification. Suggested applications may need to be modified to conform with local building codes and conditions. We cannot accept responsibility for products that are not used, or installed, to our specifications.

INTRODUCTION

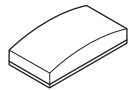
General Information

The door seals and door slab for our IsoDoor are independently tested for sound to show the expected performance of the door in real world assemblies. This performance relies heavily on the proper installation of the door. This installation requires skill and attention to detail. Attempting to install this door without assistance is considered dangerous and not recommended by IsoStore. Use of these installation instructions along with your attention to quality workmanship will ensure a successful installation.

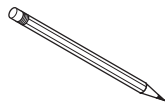
Unpacking Instructions

The crate that arrives will contain anywhere from one to four doors. The crate is custom built and screwed together for easy unpacking. We recommend removing the top layer of plywood and then all side pieces to gain full access to the door before removing the door from the crate. Some items, such as the rubber seals, installation screws, and acoustic threshold, will ship loose within the crate. Remove these before removing the door from the crate.

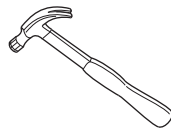
TOOLS NEEDED



Sanding Block



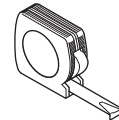
Pencil



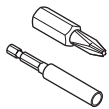
Hammer



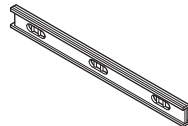
Protective Eyewear



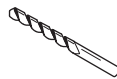
Tape Measure



#2 Phillips Bit



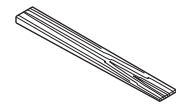
Level



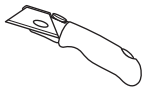
3/16" Drill Bit



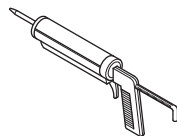
Cordless Drill



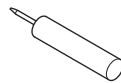
Pack of Shims



Utility Knife

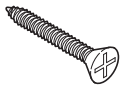


Caulk Gun

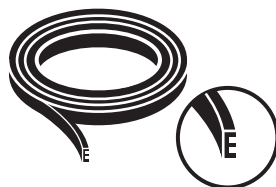


Sealant

HARDWARE WE PROVIDE



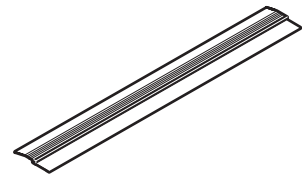
Wood Framing Screws
Qty. 8



S773 Rubber
Qty. 2



S44 Rubber
Qty. 1



Acoustic Threshold
Qty. 1



PRODUCT AND INSTALLATION INFORMATION

NOTE: Verify the door(s) received has the correct swing and specifications for your project. Labor costs related to the installation or removal of a door that was not built correct to specifications will not be the responsibility of IsoStore.

Successful Installation

The installation of the door must be plumb so the seals for the automatic door bottom, perimeter, and acoustic threshold can function properly.

Filling Between the Jamb and Framing

An average of five putty pads and a quart sized tube of acoustical sealant, or similar material, is required per door. Basic gasket material, drywall, and wood can also be used to help fill larger gaps.

Uneven Floors

Significantly uneven floors are a detriment to the performance of the automatic door bottom. A quality seal is less likely, the lifespan of the neoprene will be significantly reduced, and ease of operation for the door will be adversely affected. Check the floor before installing the door and threshold to make sure it is level across the entire opening.

Door Finish

All wood surfaces must be cleaned and sanded before paint or stain is applied. IsoStore does not warranty workmanship related to the finishing of the door.

TROUBLESHOOTING

Door Requires Too Much Force To Close

Verify the reveal around the slab is a consistent 1/8" with a slightly narrow 3/32" along the hinge jamb. This space will allow the rubber enough room to compress without significant force.

Door Will Not Latch

The rubber seals require at least 3/16" between the slab and the door stops. The strike plate may need to be moved away from the stops to allow the door to latch further from the stops.



WARNING

The IsoDoor SD and HD are very heavy doors. We strongly recommend at least two people are involved with the installation. IsoStore is not responsible for any damage to the door during installation. IsoStore is not responsible for any injuries incurred during installation. Be smart and safe, get help!



GLOSSARY

Hinge Jamb: Jamb leg on the side of the hinges.

Plunger: Part of the automatic door bottom, with the Philip's head adjustment screw, that activates the mechanism that raises or lowers the neoprene element.

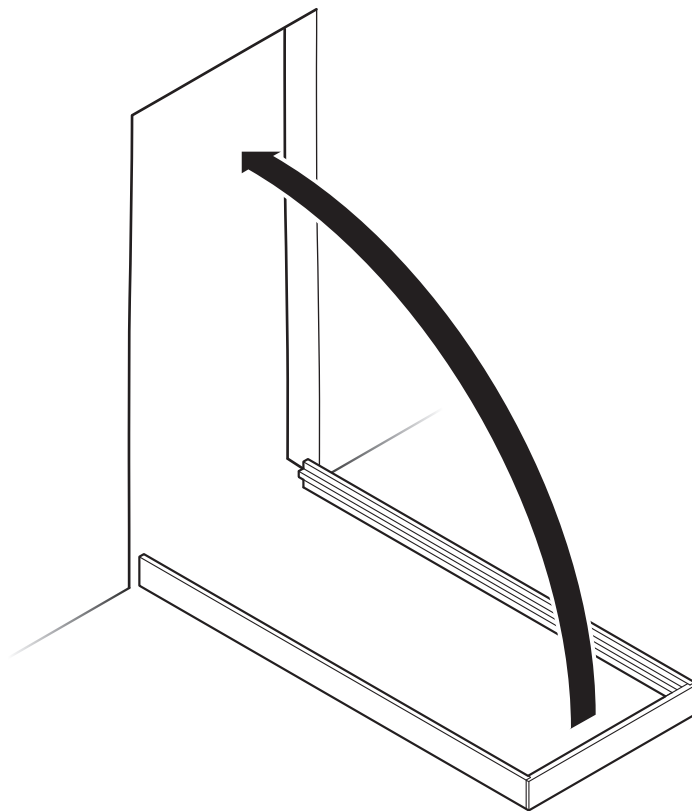
Reveal: The visible gap between the door jamb and door slab.

Rough Opening: The location of where the door will be installed.

Strike Jamb: Jamb leg in which the strike plate is installed.

INSTALLATION

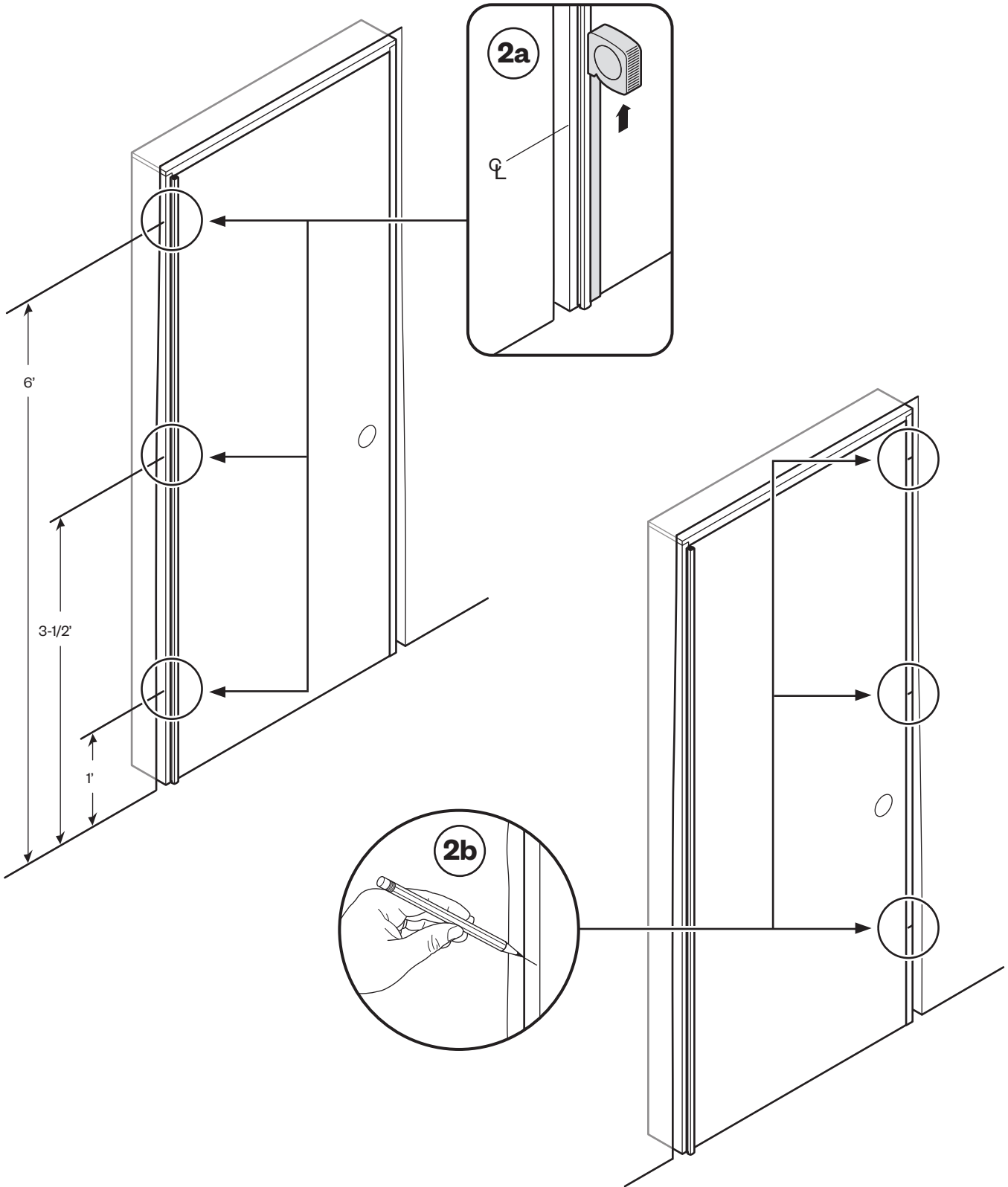
1. For an easier installation, we recommend installing the IsoDoor jambs without the door attached. Unfasten the hinge from the jambs and set the slab to the side, either lying flat or propped upside down against a wall. With the door jambs on the ground, align the ends of the jambs with the rough opening and lift the jambs into place so that the jambs end flush with each side of the opening.



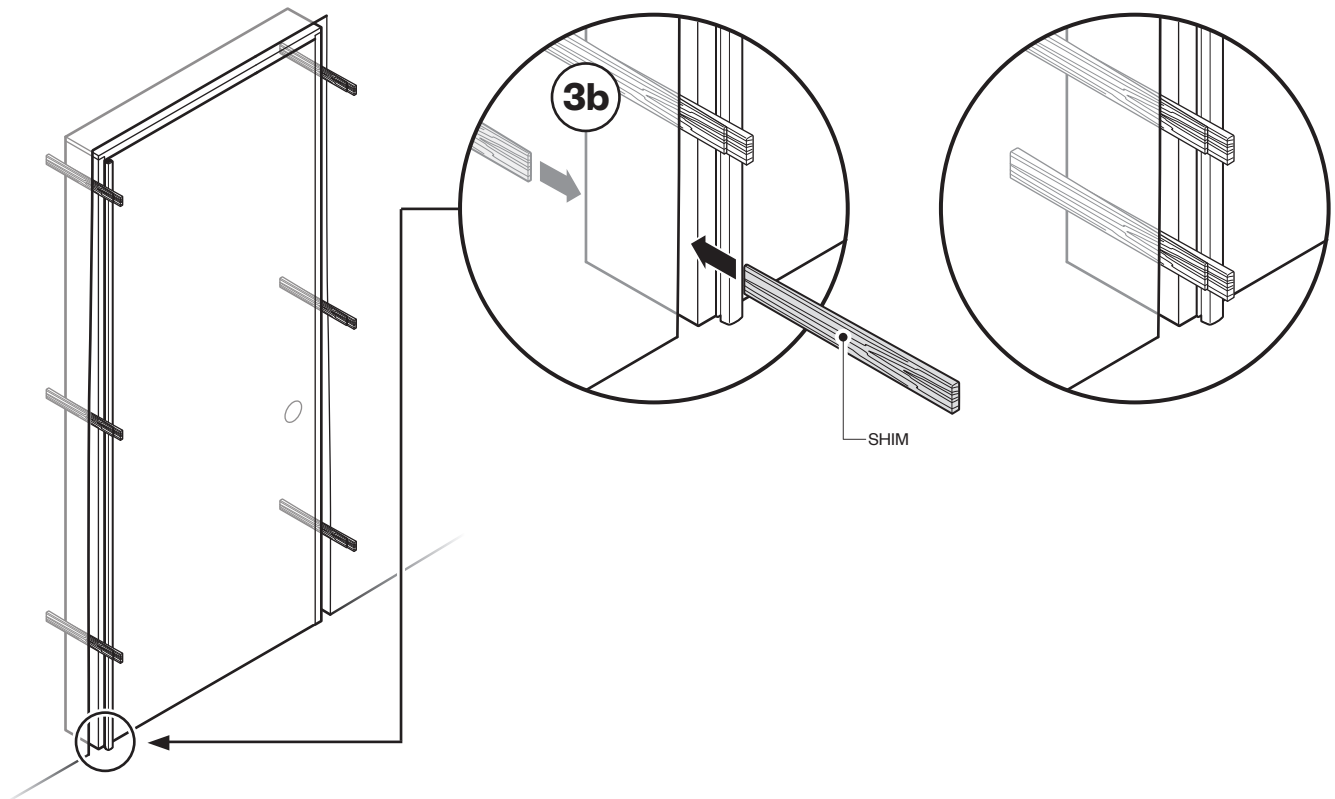
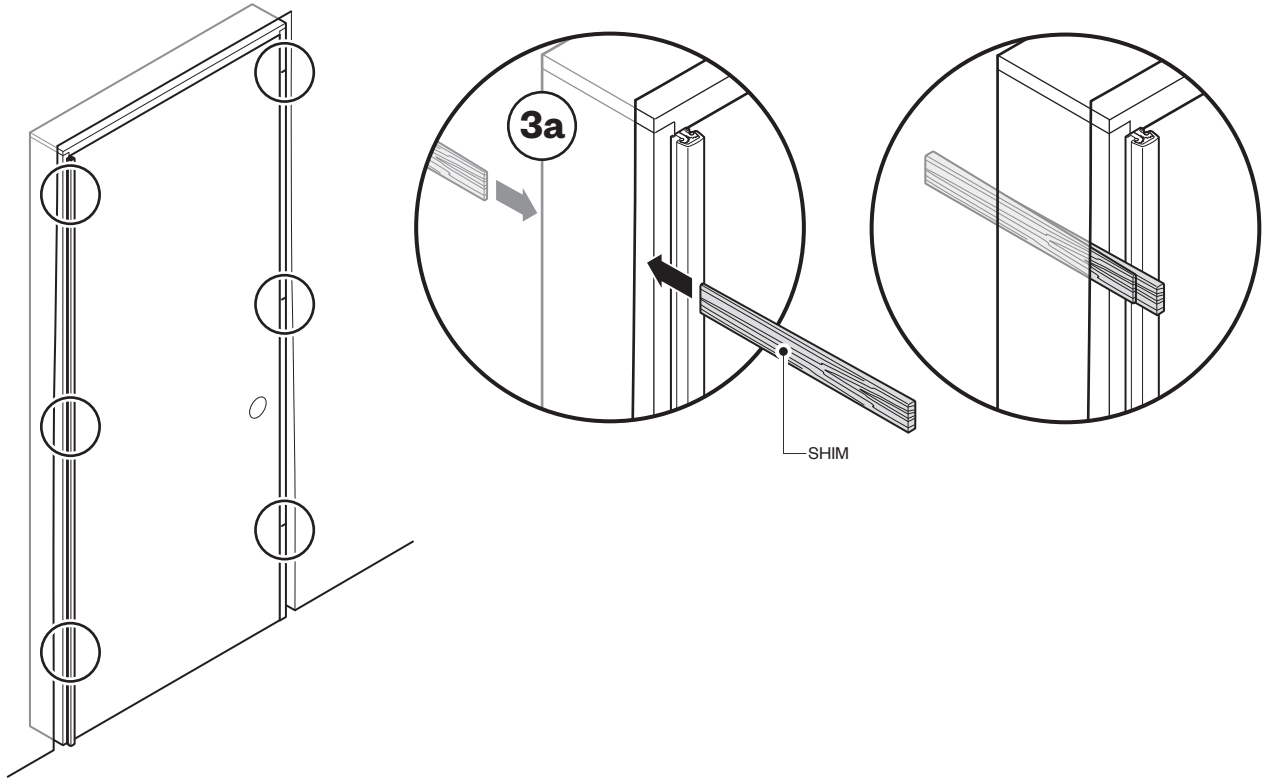
NOTE: Not all doors will arrive pre-hung in their jambs. If your jambs are knocked down in the crate, then assemble the header and leg jambs to fit together so that the door stops line up. Glue and fasten the header to the legs using the included black screws through the pre-drilled holes.



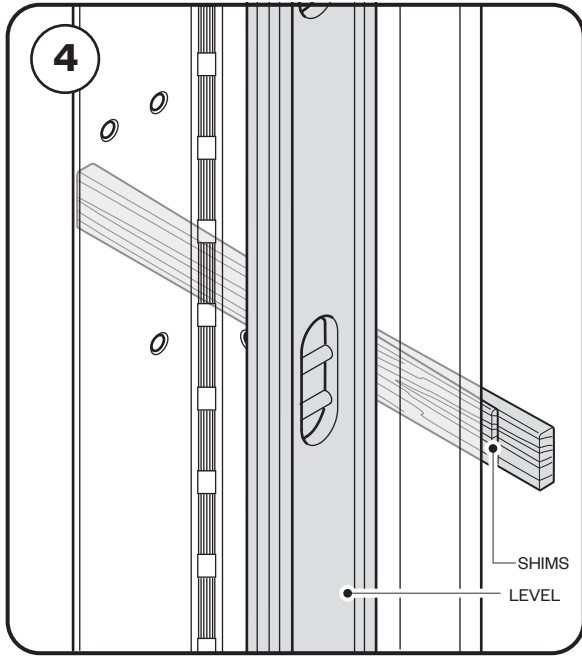
2. Measure the locations for shims on center, from the bottom of the jambs, at 1', 3-1/2' and 6' (2a). Copy the measurements to the strike jamb (2b).



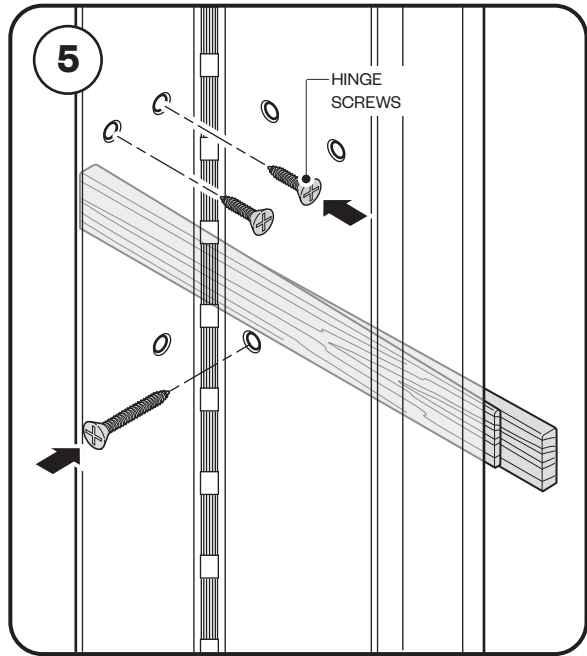
3. Place shims in measured locations (3a). Place a shim 1" above the floor on the hinge side where the automatic door bottom's plunger comes in contact with the jamb (3b).



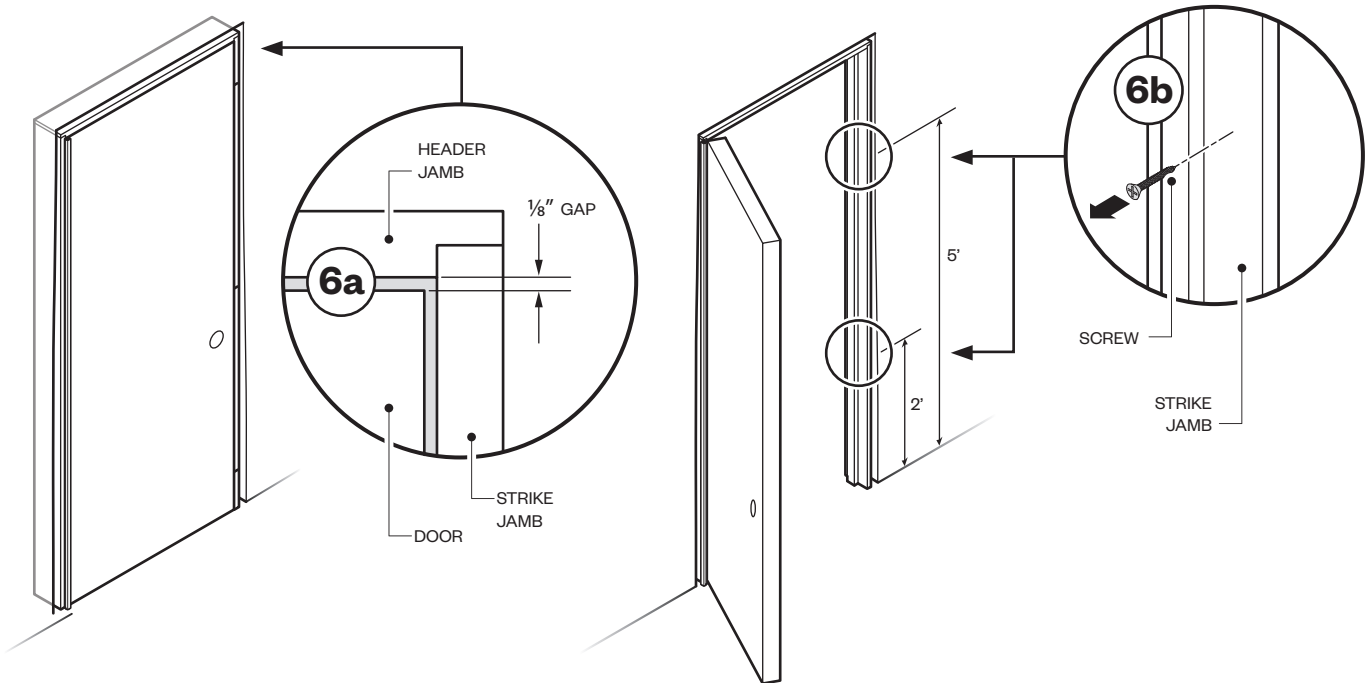
4. Add or remove shims behind hinge until the entire height of the hinge jamb is vertically level and the reveal is 3/32"-1/8" wide. Additional shims may be required.



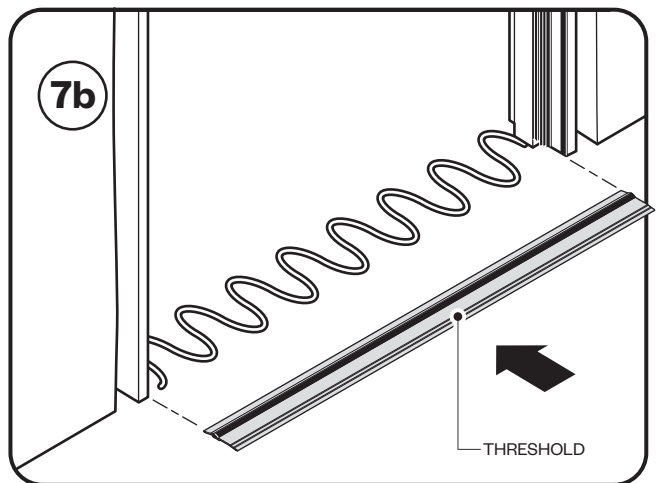
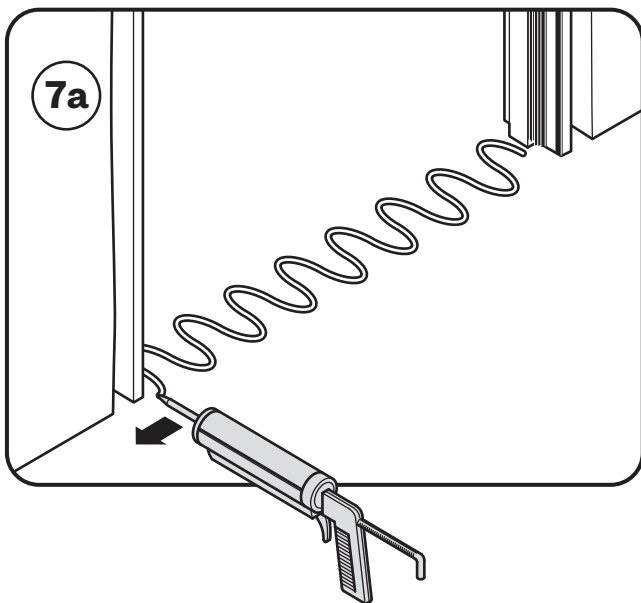
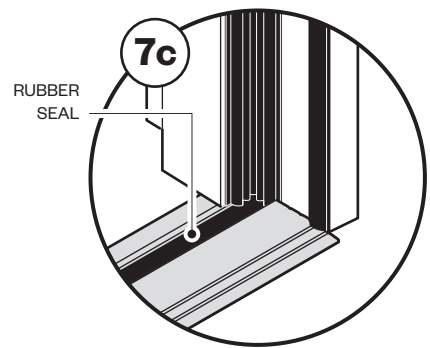
5. Fasten one long framing screw through the hinge and into the framing at each shim location. Or between the hinge and door stop if the wall has multiple layers of drywall.



6. Add or remove shims behind the strike jamb until the entire height of the strike jamb is vertically level and the reveal is 1/8" wide (6a). Additional shims may be required. Fasten one long framing screw through the strike jamb and into the wall framing 2' and 5' from the floor (6b).

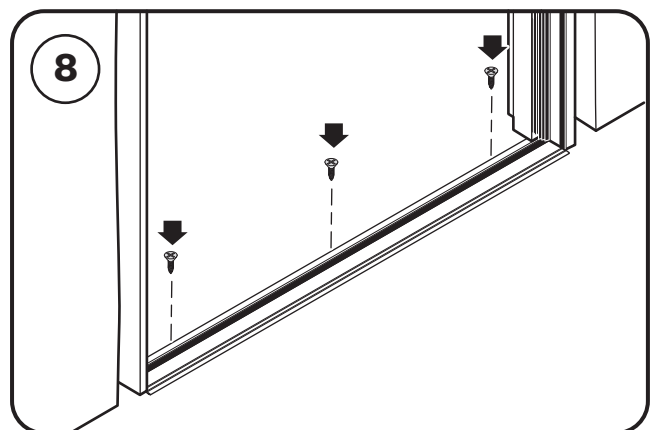


7. Measure the width of the opening from jamb to jamb and cut the acoustic threshold to size using a chop saw or similar. With a razor knife, trim the neoprene element 1/16" beyond each end of the acoustic threshold. Apply a 'Lazy S' bead of sealant to the floor where the acoustic threshold will be installed (7a). Set the acoustic threshold directly to the floor between the jambs (7b) so the neoprene element of the threshold is in line with the edge of the door stop on the door seal side in order to create contact with the door when closed (7c). The bottom of the threshold should be flush with the bottom of the door jambs.



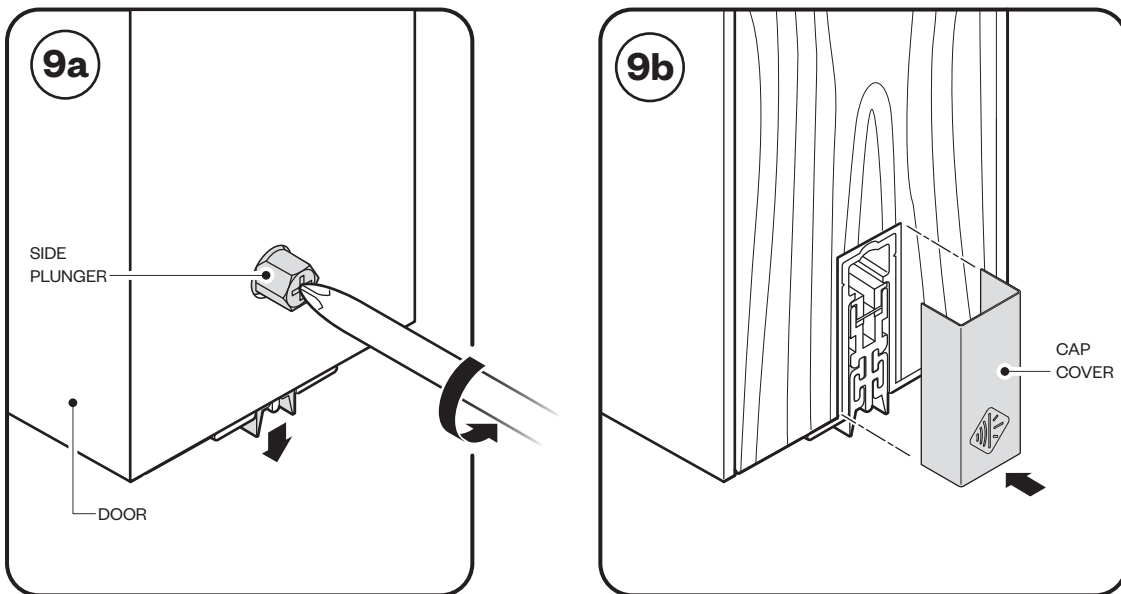
NOTE: The door stops will need mortised to fit tight to the threshold. Any gap that remains should be filled with caulk.

8. Fasten the threshold to the sub-floor below with the included screws. Tapcon screws are recommended for installation directly to concrete floors.



9. With a razor knife, trim the neoprene element 1/16" beyond each end of the automatic door bottom. Start with the plunger flush with the door and adjust counterclockwise with full turns. Open and close the door between each adjustment until the neoprene element comes in contact with the surface below the closed door. The further the plunger extends from the door slab, the further the neoprene element will drop when the door is closed. The optimal drop for the neoprene element is 1/8" to 3/8" (9a). Install the included cap cover to the latch side of the automatic door bottom to keep the rubber seal in place (9b).

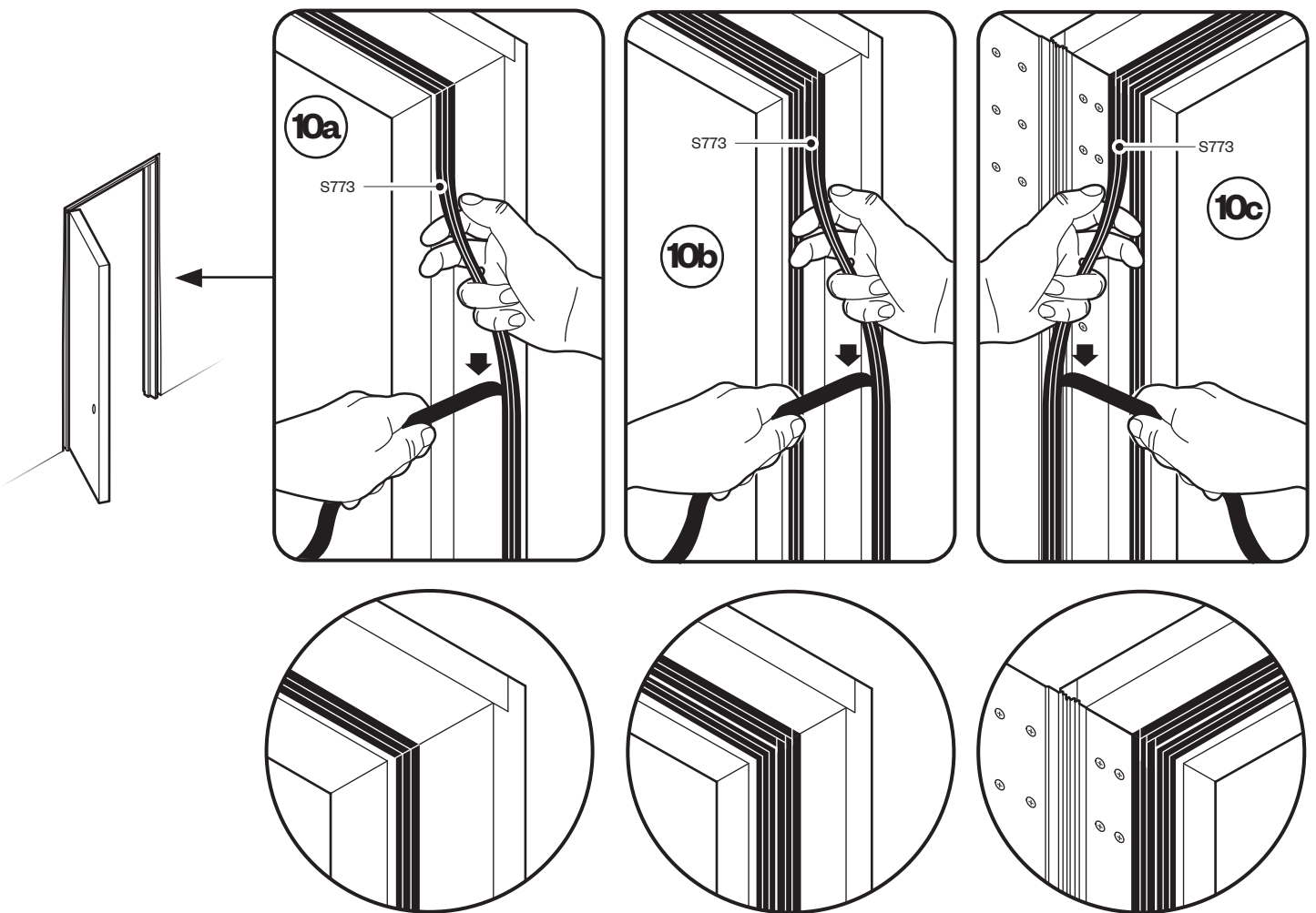
NOTE: Making large adjustments to the side plunger will disconnect the working components of the automatic door bottom. This will break the door bottom. IsoStore is not responsible for the cost of replacing an automatic door bottom that has been over adjusted.



10. Install the perimeter seals after the door jambs are finished and the paint or stain has cured. Clean the jambs and stops with the included rubbing alcohol wipes before installing the rubber seals.

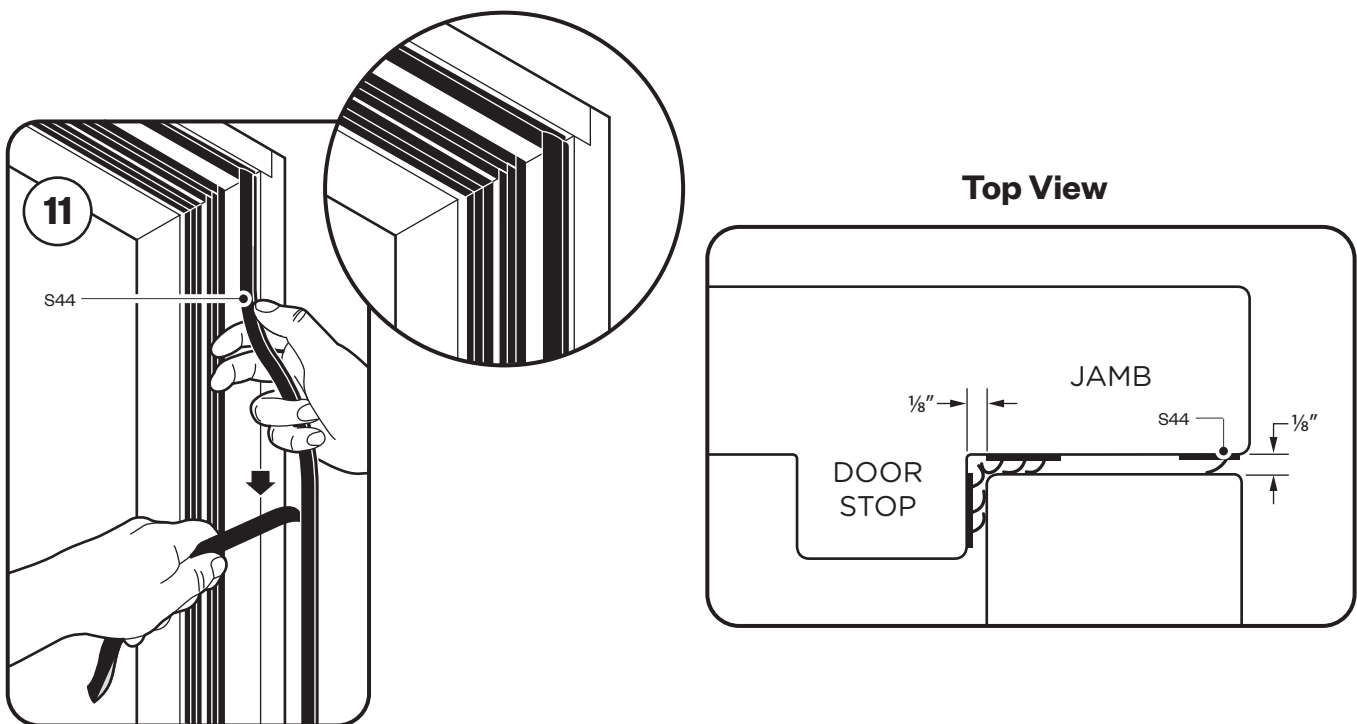
Apply the first row of S773 to the door stop, 1/8" from the jamb, longest fin nearest the door jamb. Install the header piece first. Miter each end of the S773 header to a 45-degree angle to make contact with the S773 on the stop leg. Miter the top of each S773 leg to correspond with the miter of the S773 header (10a). The bottom of each S773 leg should terminate flush with the top of the threshold or finish floor below. Any gap at the bottom of the S773 leg should be filled with a clear silicone caulk.

Apply the second row of S773 to the door jamb, 1/8" from the stop, longest fin nearest the door stop. Install the header piece first to span the entire header width. Do not miter the corners of the second row of S773, instead interlock each fin of the S773 header with each fin of the S773 leg (10b). The S773 on the hinge side will apply to the jamb between the hinge and door stop (10c).

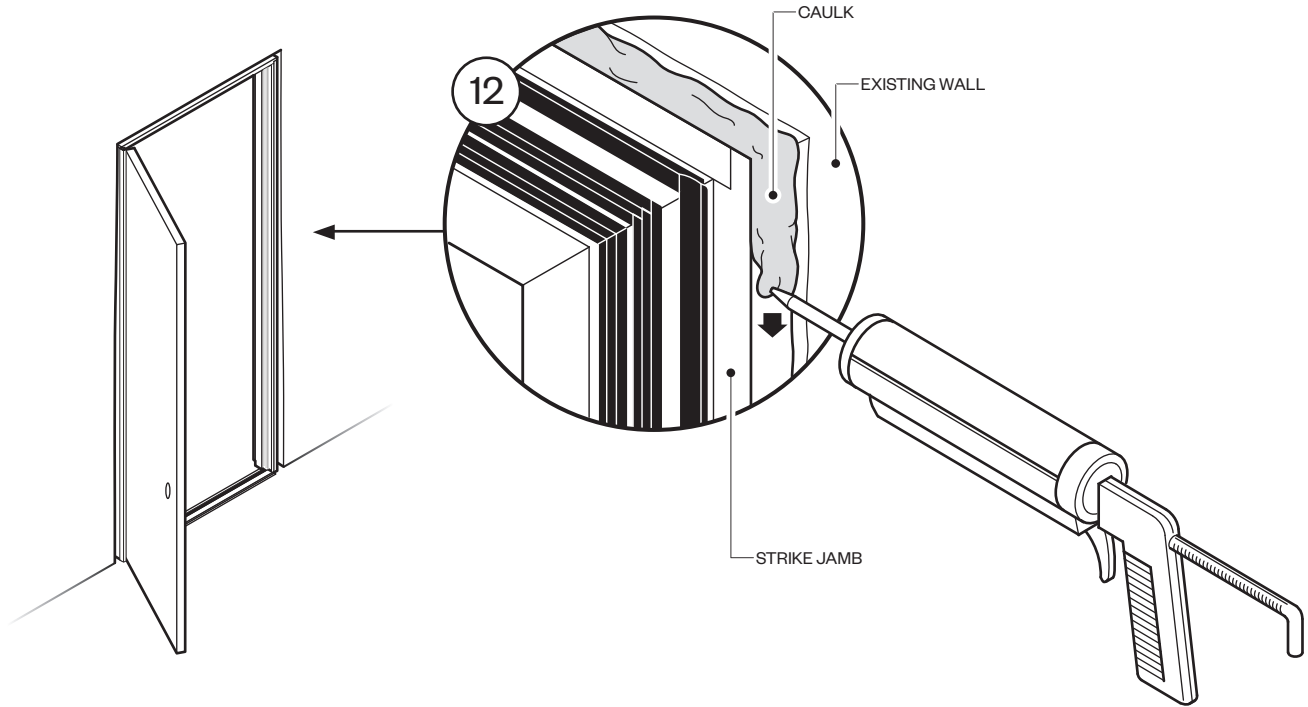


11. For only the HD and SD models, an S44 seal will be included. This seal is applied to the outer edge of the inner jamb. The header piece should span the entire header width and the leg seals should come in contact with the header and the top of the threshold or finish floor below.

NOTE: At least two of the enclosed rubber seals must be installed to achieve full performance of our doors. As long as the door is sealed (no light or air can penetrate the perimeter of the slab), then the door is properly sealed. This can be accomplished with any combination of the seals provided. We recommend installing the first S773 seal and then testing door operation. If the door has a proper seal with only the first row of S773, then you will only need to add either one more row of S773 or replace the second row of S773 with a row of S44.



12. We recommend to fill the space between the jamb and the framing with acoustical sealant and putty material. Other heavy materials like wood and drywall can also be used.



13. Review the finished seal using a stethoscope or by checking for light transfer. The stethoscope is most accurate because it will find weak points through areas that appear sealed. To check with a stethoscope, turn on some loud music in the source side and close the door so you are standing on the receiving side. Slowly trace the perimeter of the door with the stethoscope listening for inconsistencies in sound transfer.

Another method is to shine a flashlight to check for light passing between the rubber seals and door slab.

Pay extra attention to the seal quality in the corners and along the automatic door bottom. These areas are most likely to fail from poor seal installation. Adjustments to the shims or rubber seals may be required to resolve these weak points.



LIMITED WARRANTY

IsoStore warrants that the IsoDoor, (SD, HD, HD LF, or V) supplied will substantially conform to the applicable specifications and will be free from defects in material and workmanship for a period of one year from the time of delivery. The warranty and remedies for breach of warranty provided extend only to the original installation and do not cover, and IsoStore shall not be liable for:

- (1) Abnormal wear and tear or damage caused by improper installation, maintenance or use contrary to the instructions published by IsoStore.
 - (2) Storage of products in wet or damp areas or unprotected from weather and other job conditions.
 - (3) Any cause beyond the control of IsoStore, including without limitation conditions caused by movement, settlement, or structural defects of the building in which the products are installed, fire, wind, hail, flood, lightening, international acts, accidents, negligence or exposure to harmful chemical pollutants or other foreign matter or energy.
 - (4) Repair or damage caused by anyone except personnel authorized by IsoStore.
 - (5) Any scratches, abrasions, or other damage to the finish of painted or colored items after they leave IsoStore's factory.
 - (6) Humidity issues caused by applying too much paint or stain and/or not finished all 6 sides of the door slab.
- Items repaired or replaced and designs corrected under warranty are warranted only for the remainder of the original warranty period. Any general product literature is for illustrative purposes only and does not constitute a warranty period. Purchaser accepts full responsibility for the selection of the products to achieve intended results.

THIS WARRANTY IS STRICTLY LIMITED TO ITS TERMS AND IS IN LIEU OF ALL OTHER WARRANTIES AND GUARANTEES, EXPRESSED OR IMPLIED, ARISING BY OPERATION OF LAW, COURSE OF DEALING, USAGE OF TRADE OR OTHERWISE, INCLUDING BUT NOT LIMITED TO ANY IMPLIED WARRANTIES OF MERCHANTABILITY OR FITNESS FOR A PARTICULAR PURPOSE.

The Purchaser's sole and exclusive remedy, and IsoStore's only obligation for breach of warranty for products furnished hereunder, shall be, at IsoStore's option, to repair or replace the defective item or part that fails within the warranty period, free of charge, provided that the Purchaser promptly gives notice to IsoStore of such failure, returns such item or part to IsoStore, freight prepaid, and upon examination IsoStore finds such to have been defective. Purchaser must pay for related costs of making repair or replacement, including but not limited to the cost of removal, installation or re-installation of the products. In the event Purchaser claims that the products are defective, it must allow IsoStore's personnel access and permission to inspect the products at the site of installation or use.

Review the full IsoDoor warranty for more details.



IsoSTORE
EXPERT SOUND CONTROL

7552 W Victory Rd, Boise ID 83709
TELEPHONE: 877.866.6473
IsoStore.com • info@IsoStore.com